



Quality American Motorcycles

TB02-04-01

<http://www.atkusa.com>

## Technical Bulletin

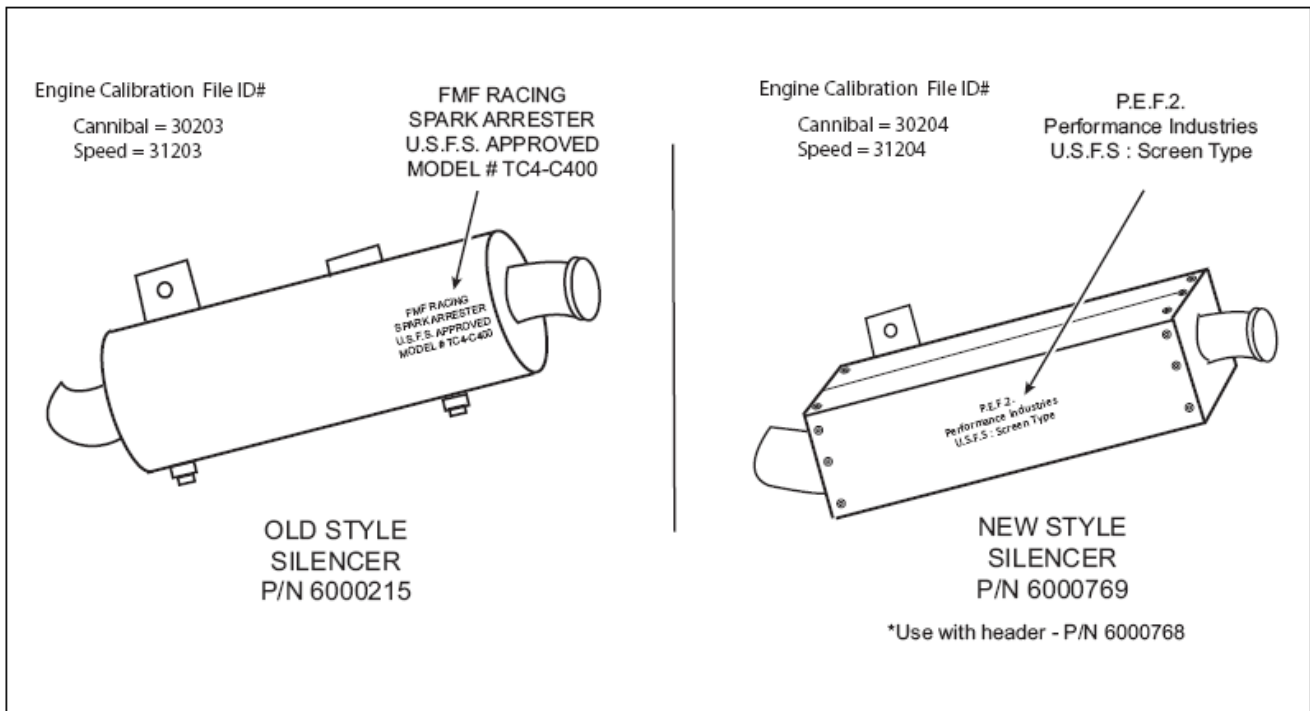
BULLETIN: TB02-04-01

MODELS: 2002 Cannibal, Speed (ATVs)

ISSUED: 4/8/02

SUBJECT: 2002 Cannibal Exhaust Silencer Replacement

DETAIL: The "round" exhaust silencer P/N 6000215 installed on early 2002 Cannibal and Speed model ATVs are no longer available as a replacement part. Use the replacement "square" exhaust silencer P/N 6000769 with exhaust header P/N 6000768. This replacement silencer **MUST** be installed with the matching engine calibration file.



### CAUTION

**Installing/ replacing an exhaust silencer with the wrong matching engine calibration file or "map" can result in severe engine damage or a loss of engine performance.**

*Information is subject to change without notice.*