



Quality American Motorcycles

TB02-10-03

<http://www.atkusa.com>

Technical Bulletin

CRANKCASE STUD UPDATE KIT - P/N 913-5002552

A kit based on a running 2003 model year ATV and Motorcycle engine production change is now available from our parts department.

When installed into older engines, the kit improves crankshaft cartridge plate retention under racing and extreme engine operating conditions.

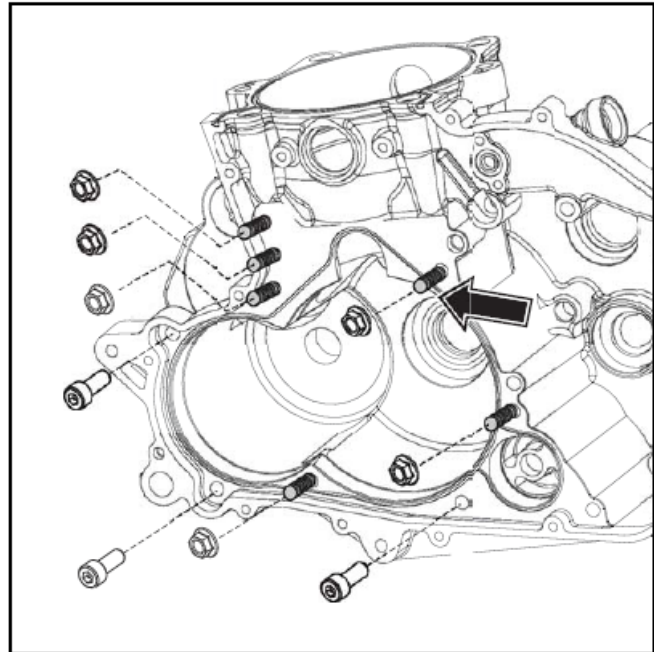
The optional kit can be installed into 2001,2002, 2003 model year ATVs and motorcycle engines produced prior to the running production change.

To identify a new 2003 engine or an older factory serviced engine with the kit, remove the clutch cover and inspect. If a flange headed nut is observed at the location indicate at right, the engine has been updated.

Installation instructions are included in the kit.

KIT CONTENTS

QTY	P/N	DESC
	913-5002552	Crankcase Stud Update Kit
1	5002552I	Instructions
1	5002553	Loctite #243 Blue
1	5002554	Loctite #266, Red
6	5002555	Nut, Hex Flange, M8(10.9 Grade)
6	5002556	Stud, Cold Headed, M8x35mm)
1	5001880S	Scavenge Pump Cover



Information is subject to change without notice.